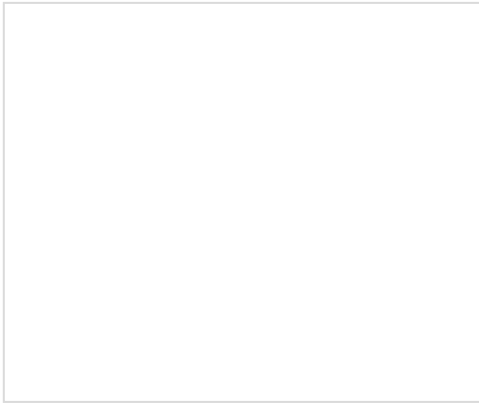




MODEL HILNA27303015

27-30GHz Broadband Low Noise Amplifier



■ Features

- Ultra Broadband: 27-30GHz
- Low Noise Figure: 1.5dB
- High Gain: 36dB
- P1dB Output Power: 10dBm
- High OIP3: 21dBm
- Supply Voltage : +5V@ 150mA

■ Applications

- Radar Systems
- Communication Systems
- Receiving Systems

□ Electrical Specifications

Parameter	Min.	Typ.	Max.	Units
Frequency Range	27-30			GHz
Gain	30	36		dB
Gain Flatness		±0.6	±1.0	dB
Gain Variation Over Temperature		±0.5		dB
Input VSWR		1.5	1.8	-
Output VSWR		1.5	1.8	-
Output Power for 1 dB Compression (P1dB)	8	10		dBm
Noise Figure		1.5	2.5	dB
OIP3		21		dBm
Input Max Power(no damage)			-15	dBm
DC Current (VCC=+5V)		150		mA
Weight	100			g
Impedance	50			Ω
Input Connector	2.92-K(Removable)			
Output Connector	2.92-K(Removable)			
Material	Aluminum Gold Plating			
Package Sealing	Epoxy Sealing (Standard); Hermetically Seal(Optional)			

Environmental Conditions

Operational Temperature	-45°C~+85°C	Vibration	25g rms (15 degree 2KHz) endurance, 1 hour per axis
Storage Temperature	-55°C~+125°C	Shock	20G for 11msc half sin wave,3 axis both directions
Executive Standard	MIL-STD-810G	Humidity	100% RH at 35c, 95%RH at 40°C

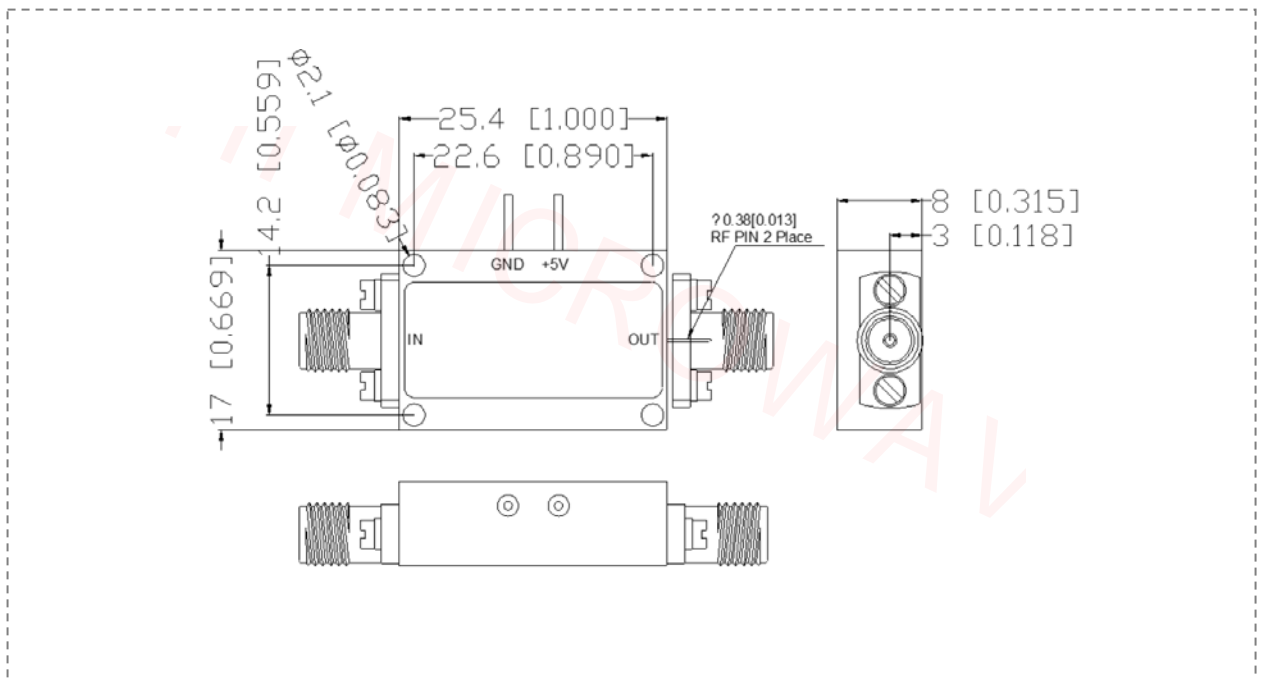
Absolute Maximum Ratings

Supply Bias Voltage	+14V
RF INPUT POWER	+15dBm
ESD sensitivity (HBm)	Class 0, passed 150V



Outline Drawing

All Dimensions in mm (inches) Tolerance ± 0.25 (0.01)



*****Heat Sink required during operation*****