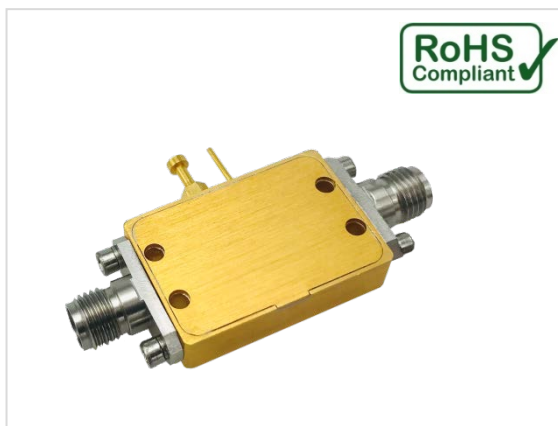


MODEL HILNA32383030

32-38GHz Broadband Low Noise Amplifier



■ Features

- Ultra Broadband:32-38GHz
- Low Noise Figure:3dB
- High Gain: 30dB

■ Applications

- Radar Systems
- Communication Systems
- Receiving Systems

□ Electrical Specifications

Parameter	Min.	Typ.	Max.	Unit
Frequency Range	32-38			GHz
Gain	28.5		31.5	dB
Gain Flatness		± 1	± 1.5	dB
Input VSWR		1.5	1.8	-
Output VSWR		1.5	1.8	-
Output Power for 1 dB Compression (P1dB)	10			dBm
Noise Figure		3	3.5	dB
OIP3		20		dBm
Input Max Power(no damage)			5	dBm
DC Current (Vcc=+12~15V)		70		mA
Spurious			-65	dBc
Weight	30			g
Impedance	50			Ω
Input Connector	2.92mm-Female			
Output Connector	2.92mm-Female			
Finishing	Gold Plated			
Package Sealing	Epoxy Sealing (Standard); Hermetically Seal(Optional)			

Environmental Conditions

Operational Temperature	-10°C~+55°C	Vibration	25g rms (15 degree 2KHz) endurance, 1 hour per axis
Storage Temperature	-55°C~+125°C	Shock	20G for 11msc half sin wave, 3 axis both directions
Executive Standard	MIL-STD-810G	Humidity	100% RH at 35c, 95%RH at 40°C

Absolute Maximum Ratings

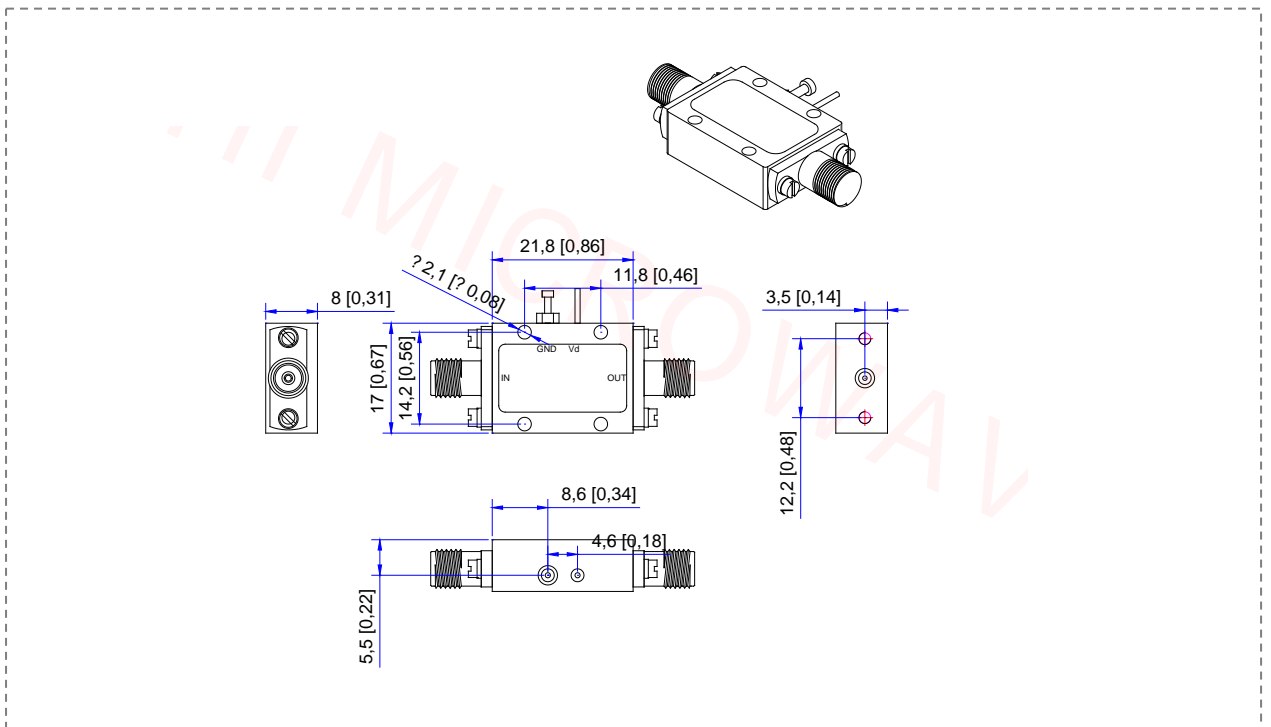
Supply Bias Voltage	+15V
RF INPUT POWER	5dBm
ESD sensitivity (HBm)	Class 0, passed 150V



OBSERVE
PRECAUTIONS
ELECTROSTATIC
SENSITIVE
DEVICES

Outline Drawing

All Dimensions in mm (inches) Tolerance ± 0.25 (0.01)



Heat Sink required during operation